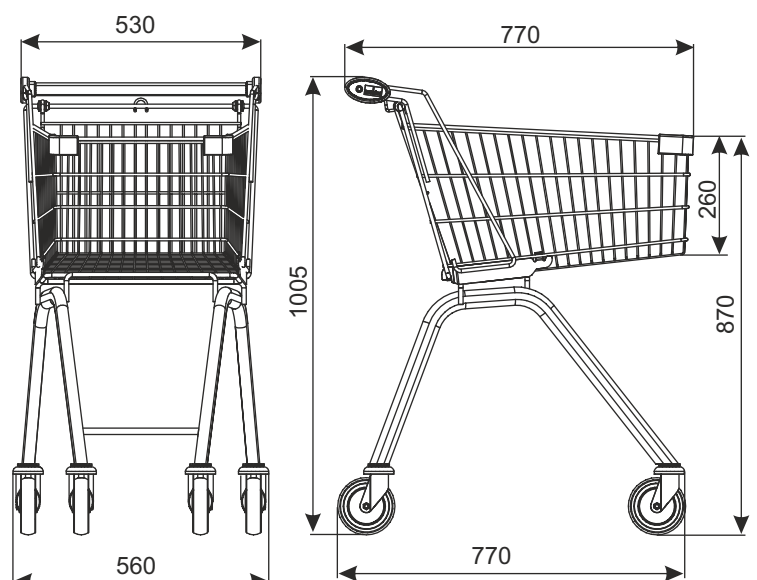


SHOPPING TROLLEY AVANT 80



TYPE	Avant 80
BASKET CAPACITY	80 l
LOADING	80 kg
WHEEL DIAMETER	125 mm
FINISH	zinc plated + thermal setting lacquer/ optionally galvanic zinc + powder coating RAL 7016
NESTING DISTANCE	190 mm

In the standard version shopping trolley has standard wheels. Optional accessories (inter alia wheels for travelator or with brake, coin lock, the logo and other accessories) require separate arrangements.



PRODUCT NAME	FINISH	INDEX
Shopping trolley Avant 80	zinc plated + lacquer	919-351-278
Shopping trolley Avant 80 powder coated RAL7016 (option)	zinc plated + powder coating	919-351-278

W1 SHOPPING TROLLEYS