

Family
COOKING EQUIPMENT STAR 70

Section
GAS AND ELECTRIC GRILL

Model
NGW78E

Code
CR0956650

800 MM ELECTRIC GRILL

Electric grill in AISI 304 stainless steel. Direct cooking on contact with the armoured heating elements. Water bowl ensures the meat remains moist. Two independent cooking zones, temperature adjustment with two power regulators for setting levels 1 to 6, maximum temperature 400°C. Indicator light signalling correct appliance operation. Cooking surface 545x430 mm.



Technical data

| | | | |
|-------------------------|----------------|------------------------|-------------|
| Width mm: | 800 | Internal dim. oven mm: | |
| Depth mm: | 730 | Oven capacity: | |
| Height mm: | 250 | Oven power kW: | |
| Weight kg.: | 48.00 | Qty heating zones: | 2 x 4,08 kW |
| Volume m ³ : | 0.40 | Plate dim. mm: | |
| Power supply: | VAC400-3N 50Hz | Dim. heating zone mm: | 545x447 |
| Gas power kW: | | Qty tank: | |
| Electric power kW: | 8.16 | Tank dim. mm: | |
| | | Tank capacity l: | |

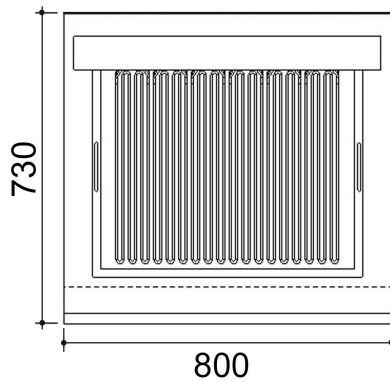
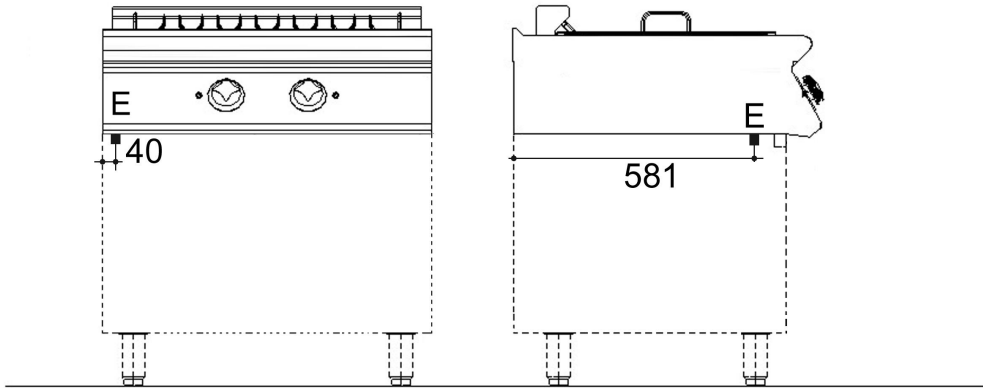
Family
COOKING EQUIPMENT STAR 70

Section
GAS AND ELECTRIC GRILL

Model
NGW78E

Code
CR0956650

800 MM ELECTRIC GRILL



Legend

(E) Socket 1: Connection supply terminal floor level (+100mm). Spare cable 1500mm

(E) Socket 2:

(G) Gas:

(AD) Softened water:

(AF) Cold water:

(AC) Hot water:

(S) Draining 1:

(S) Draining 2:

(FR) In e out freon:

(V) Steam: