

**Family**  
COOKING EQUIPMENT STAR 70

**Section**  
GAS COOKERS

**Model**  
NC78G24

**Code**  
CR0598010

## 4-BURNER GAS TOP HOB

Gas hob in AISI 304 stainless steel. 15/10 pressed top without flue apertures, designed for back-to-back alignment and to accommodate the water column accessory. Appliance comprises 4 sealed burners with maximum output of 6 kW. Safety tap with thermocouple for continuous output control from 1.6 to 6 kW. Main burner ignition by means of permanent, low-energy pilot burner (170 W). Pilot burner and thermocouple are located underneath the main burner body, protected from accidental impact and any spills. Hob features radiused corners for ease of cleaning and pan supports in RAAF enamelled cast-iron (acid, alkali and flame resistant).



### Technical data

Width mm:	800	Internal dim. oven mm:	
Depth mm:	730	Oven capacity:	
Height mm:	250	Oven power kW:	
Weight kg.:	58.00	Qty heating zones:	4 x 6 kW
Volume m <sup>3</sup> :	0.40	Plate dim. mm:	
Power supply:		Dim. heating zone mm:	
Gas power kW:	24.00	Qty tank:	
Electric power kW:		Tank dim. mm:	
		Tank capacity l:	

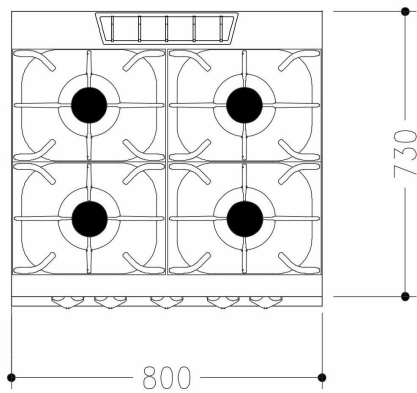
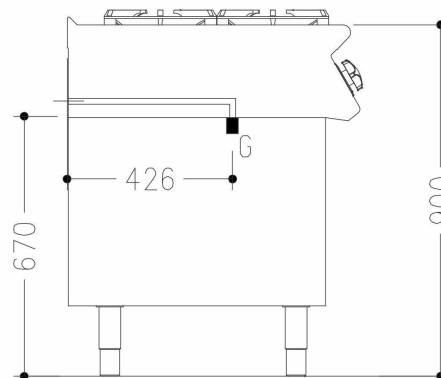
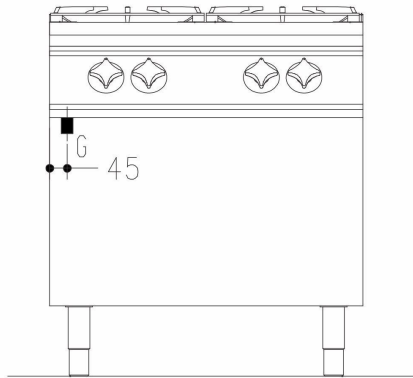
**Family**  
COOKING EQUIPMENT STAR 70

**Section**  
GAS COOKERS

**Model**  
NC78G24

**Code**  
CR0598010

**4-BURNER GAS TOP HOB**



**Legend**

(E) Socket 1:

(E) Socket 2:

(G) Gas: Ø1/2" - H=670mm

(AD) Softened water:

(AF) Cold water:

(AC) Hot water:

(S) Draining 1:

(S) Draining 2:

(FR) In e out freon:

(V) Steam: